

# **marantz<sup>®</sup>**

Model WB6001T User Guide

---

Tilt Flat Wall Mount for 61" Plasma

## Warning Statements

**WARNING:** THE WALL STRUCTURE MUST BE CAPABLE OF SUPPORTING 160 LBS. IF NOT, THE WALL STRUCTURE MUST BE REINFORCED. PROPER INSTALLATION PROCEDURE BY A QUALIFIED SERVICE TECHNICIAN, AS OUTLINED IN THE INSTALLATION INSTRUCTIONS, MUST BE ADHERED TO. FAILURE TO DO SO COULD RESULT IN SERIOUS PERSONAL INJURY, OR EVEN DEATH.

**WARNING:** SAFETY MEASURES MUST BE PRACTICED AT ALL TIMES DURING THE INSTALLATION OF THIS PRODUCT. USE PROPER SAFETY GEAR AND TOOLS FOR THE INSTALLATION PROCEDURE TO PREVENT PERSONAL INJURY.

**WARNING:** PRIOR TO THE INSTALLATION OF THIS PRODUCT, THE INSTALLATION INSTRUCTIONS SHOULD BE READ AND COMPLETELY UNDERSTOOD. THE INSTALLATION INSTRUCTIONS MUST BE READ TO PREVENT PERSONAL INJURY AND PROPERTY DAMAGE. KEEP THESE INSTALLATION INSTRUCTIONS IN AN EASILY ACCESSIBLE LOCATION FOR FUTURE REFERENCE.



Indicates that the power plug is to be disconnected from the power outlet.



Contact Marantz with any questions - (630)-741-0300.



Safety precautions must be taken at all times.



Warning and Caution statements.



Do not install on a structure that is prone to vibration, movement or chance of impact. Failure to do so could result in damage to the flat panel display and/or damage to the mounting surface.



Do not install near heater, fireplace, direct sunlight, air conditioning or any other source of direct heat energy. Failure to do so may result in damage to the flat panel display and could increase the risk of fire.



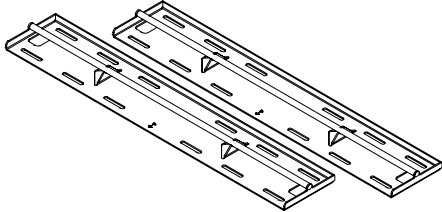
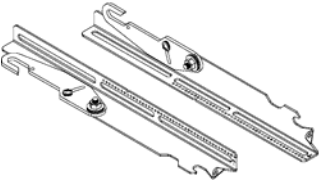

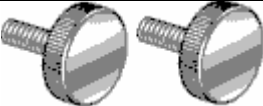
At least two qualified people should perform the installation procedure. Injury and/or damage can result from dropping or mishandling the flat panel display.

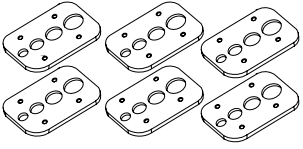
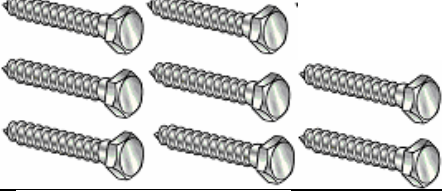
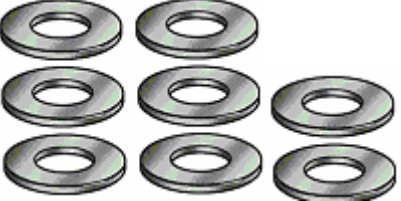
## Table of Contents

Warning Statements .....	- 2 -
1.0 PARTS LIST .....	- 4 -
1.1 Installation Tools .....	- 4 -
2.0 FINDING THE CENTER OF THE DISPLAY .....	- 5 -
3.0 POSITIONING THE MOUNTING BRACKETS .....	- 6 -
4.0 SECURING THE MOUNTING BRACKETS .....	- 7 -
5.0 WOODEN STUD LOCATION .....	- 8 -
6.0 FLAT PANEL INSTALLATION .....	- 12 -
7.0 LATERAL SHIFT ADJUSTMENT .....	- 12 -
8.0 TECHNICAL SPECIFICATIONS .....	- 13 -

## 1.0 PARTS LIST

**NOTE:** This wall mount is shipped with all proper installation hardware and components. Make sure that none of these parts are missing before beginning installation. If there are parts missing stop the installation and contact Marantz.

Wall plate (Qty 2)	
Universal Mounting Brackets (Qty 2)	
M8 x 20mm Phillips Head Screws (Qty 6)	
M6 x 12mm Safety Knobs (Qty 2)	

Griplates™ (Qty 6)	
5/16" x 3" Lag Bolts (wooden studs only) (Qty 8)	
5/16" Flat Washers (Qty 8)	

## 1.1 Installation Tools

Phillips Head Screw Driver      Soft Material/ Blanket      Pencil  
Tape Measure                      Drill Gun  
Level (Squared)                    5/16" Socket Wrench

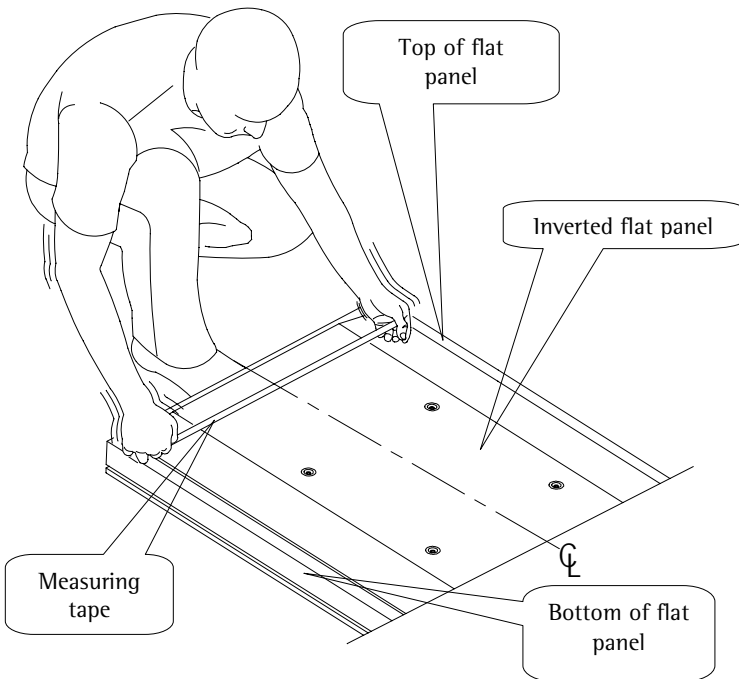
## 2.0 FINDING THE CENTER OF THE DISPLAY

**WARNING:** Proper installation procedure by qualified personnel as outlined in the installation instructions must be adhered to. Failure to do so could result in serious personal injury and possible damage to the flat panel.

**WARNING:** DO NOT LAY THE FLAT PANEL ON THE FLOOR DURING ANY STEP OF THE INSTALLATION PROCESS.. THE FLAT PANEL IS HEAVY AND FRAGILE. AT LEAST TWO QUALIFIED PERSONNEL ARE STRONGLY RECOMMENDED FOR INSTALLATION OF THIS PRODUCT. FAILURE TO DO SO COULD RESULT IN SERIOUS INJURY AND POSSIBLE DAMAGE TO THE FLAT PANEL

### Step 1

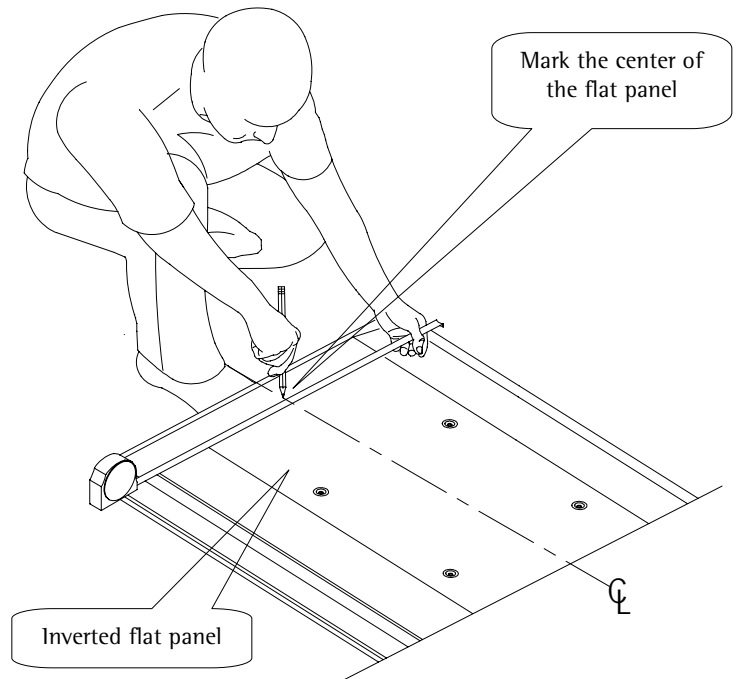
Use a measuring tape to find the center of your flat panel measuring from outside to outside of the flat panel (Figure 1).



**Figure 1**

### Step 2

Using a pencil lightly mark the center of your flat panel (Figure 2).



**Figure 2**

### 3.0 POSITIONING THE MOUNTING BRACKETS

#### Step 3

Lay the mounting brackets (stamped arrows facing out) - (Figure 3).

#### Step 4

Match the center of viewing guide with the centerline you marked in Step 1 (Figure 4).

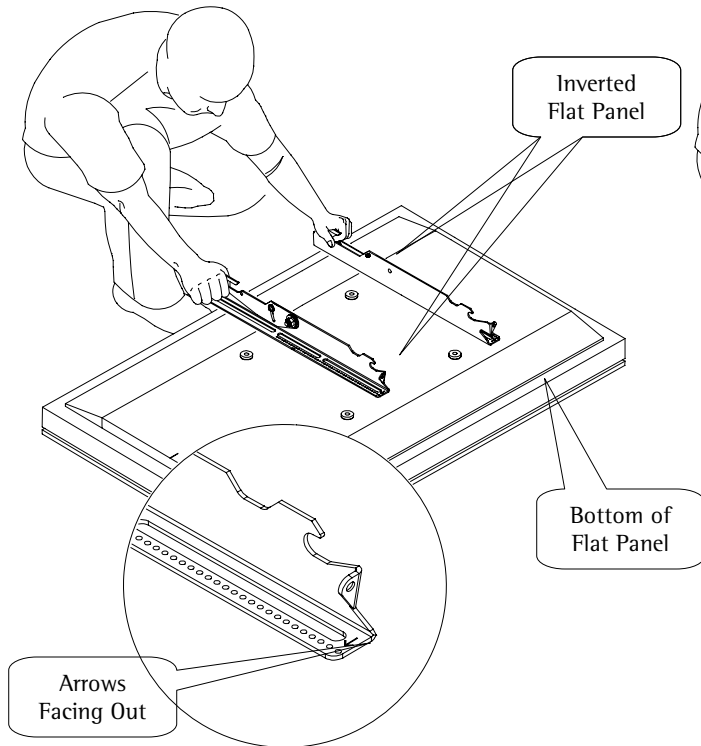


Figure 3

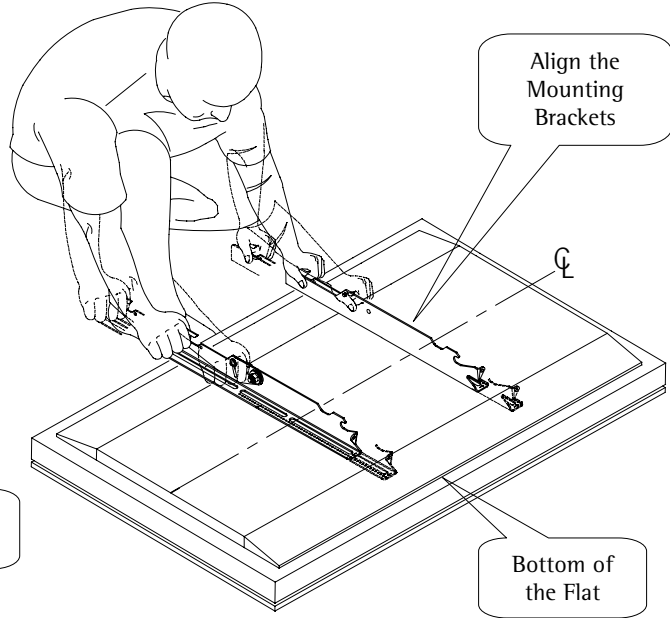


Figure 4

#### Step 5

The mounting brackets are designed with a center viewing guide on the side of them (Figure 5).

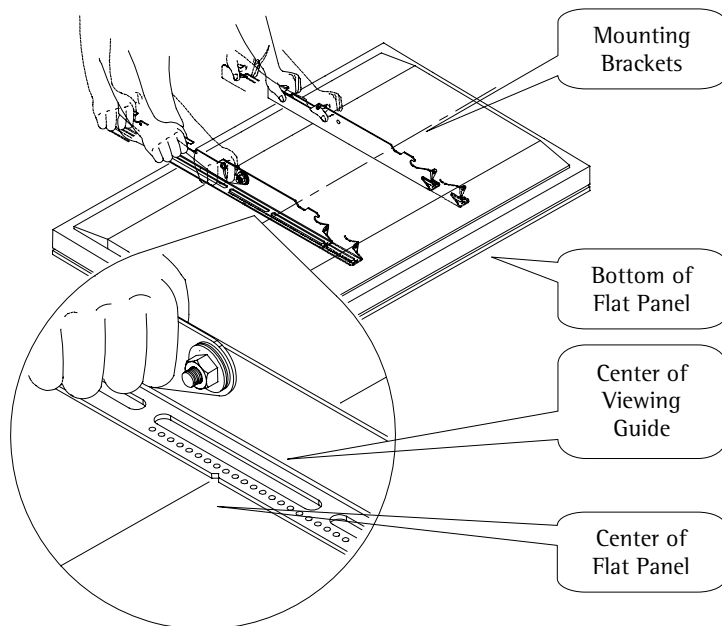


Figure 5

## 4.0 SECURING THE MOUNTING BRACKETS

### Step 6

The Griplates™ have M4, M5, M6 and M8 hole patterns to fit the hardware that your flat panel requires.

**EXAMPLE:** If your plasma uses M8 x 20 Phillip screws. Use the M8 mounting points (Figure 6).

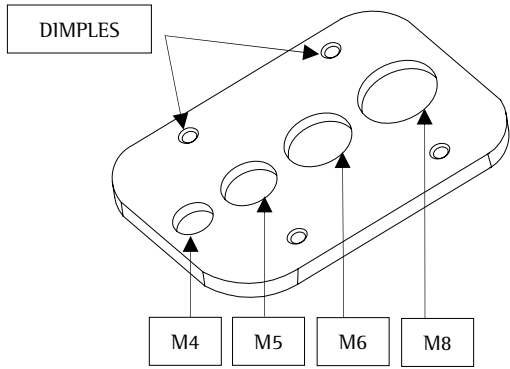


Figure 6

### Step 7

Once the mounting brackets are aligned, secure the Griplate™ to the flat panel.

**NOTE:** The dimples of the top plates have to be facing up and the bottom dimples must be facing down. Use (1) Griplate™ per mounting point (Figure 7).

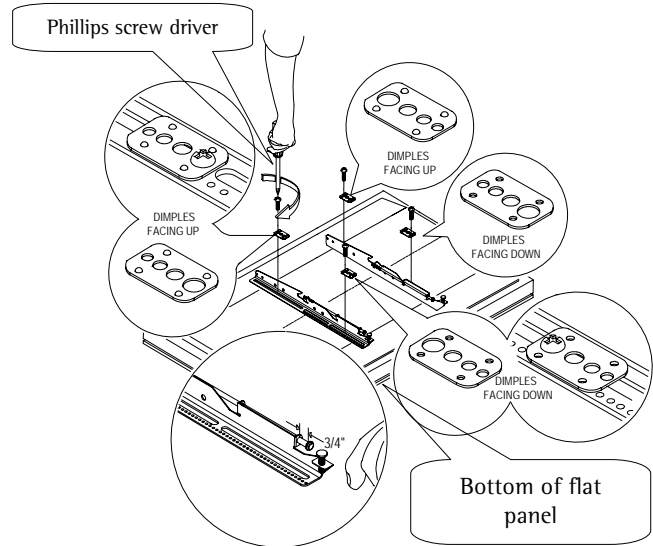


Figure 7

## 5.0 WOODEN STUD LOCATION

### Step 8

Using a (commercially available) wood stud finder, locate the 16" or 24" stud centers behind the wall. Once found, make a pencil marking on the center of the wood studs (Figure 8).

**NOTE:** The wall plates have (3) 16" and (1) 24" mounting slot positions.

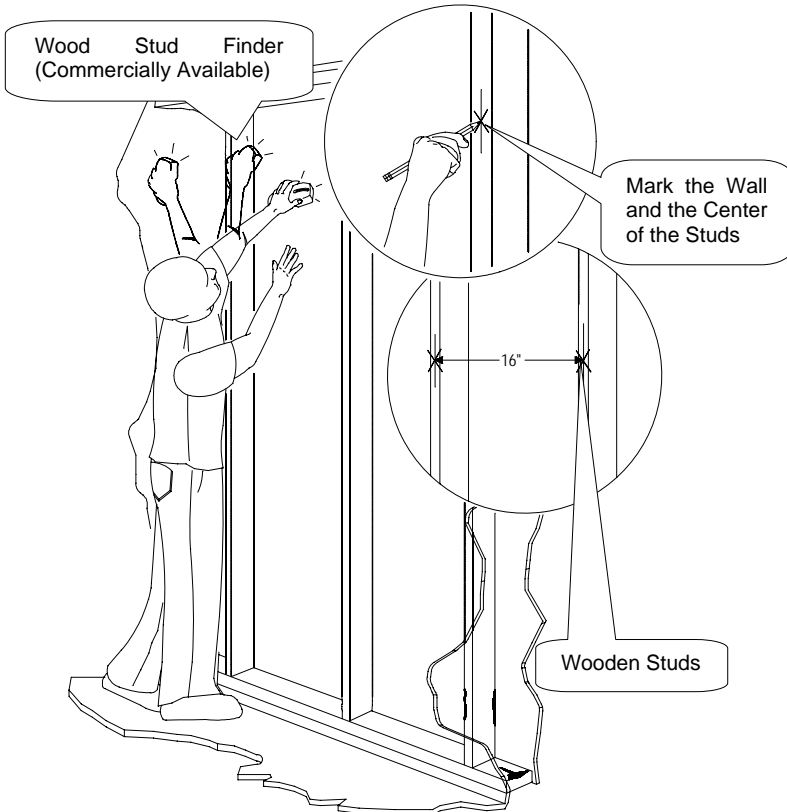


Figure 8

### Step 9

Measure from the floor to the desired viewing height and mark the wall.

**NOTE:** This marking will reference the center of your flat panel display once mounted on the wall (Figure 9).

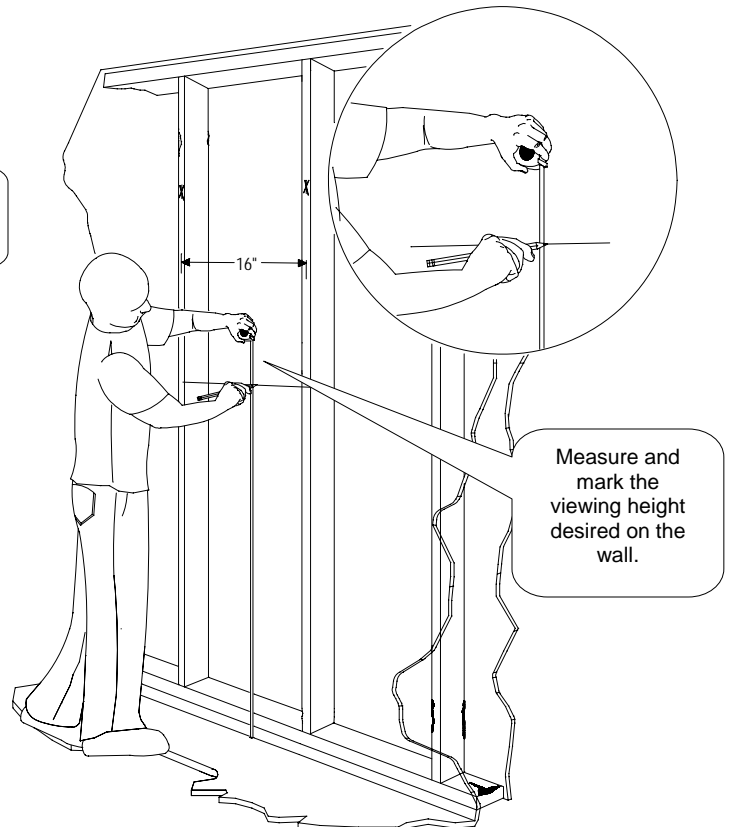


Figure 9



## Step 10

Place the bottom portion of the wall plate to the reference line and mark the four (4) lag bolt mounting points through the wall plate slots on the wall (Figure 10).

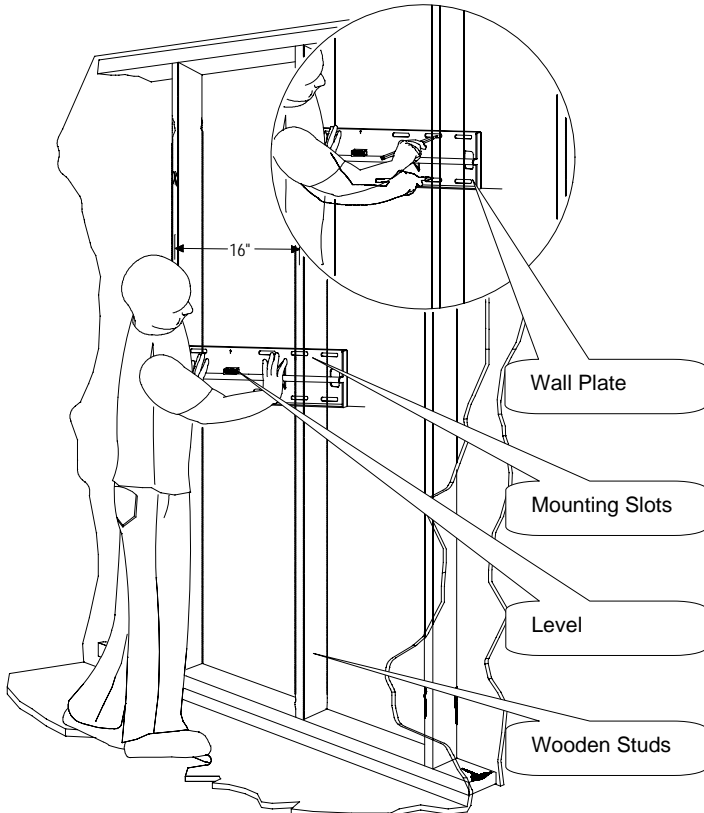


Figure 10

## Step 11

Level the wall plate with the reference arrow pointing up to the ceiling (Figure 11).

### Mounting Surfaces

**Wood studs:** Drill four (4) 1/4" pilot holes to the marked wall.

**Concrete wall:** Drill four (4) 3/8" pilot holes to the marked wall.

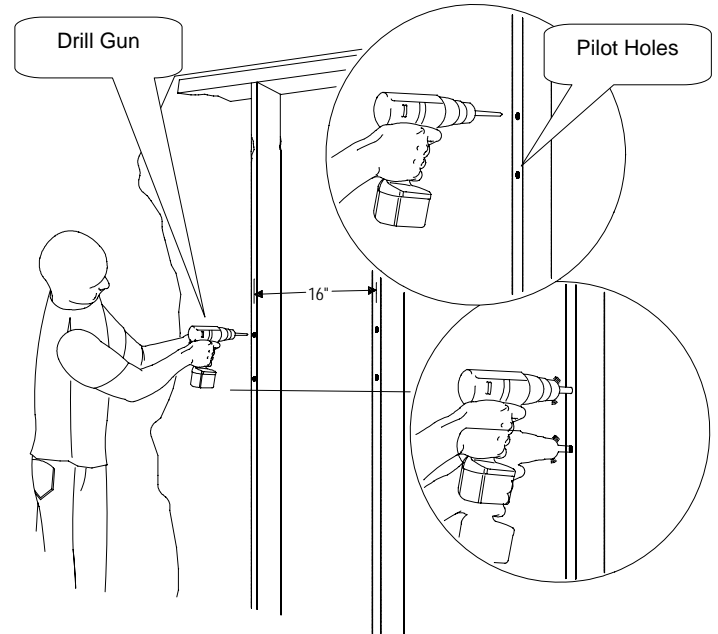


Figure 11

## Step 12 – Wooden Stud Installation

Level and secure the lower plate to the wall with the reference arrow facing up to the ceiling. Secure the plate using the four (4) 5/16" lag bolts and flat washers (supplied) – (Figure 12). Repeat Step 5 to secure the upper wall plate to the wall (Figure 12).

**CAUTION:** Do not over tighten the lag bolts.

**NOTE:** Use a minimum diameter of 5/16" x 3" long wood screws

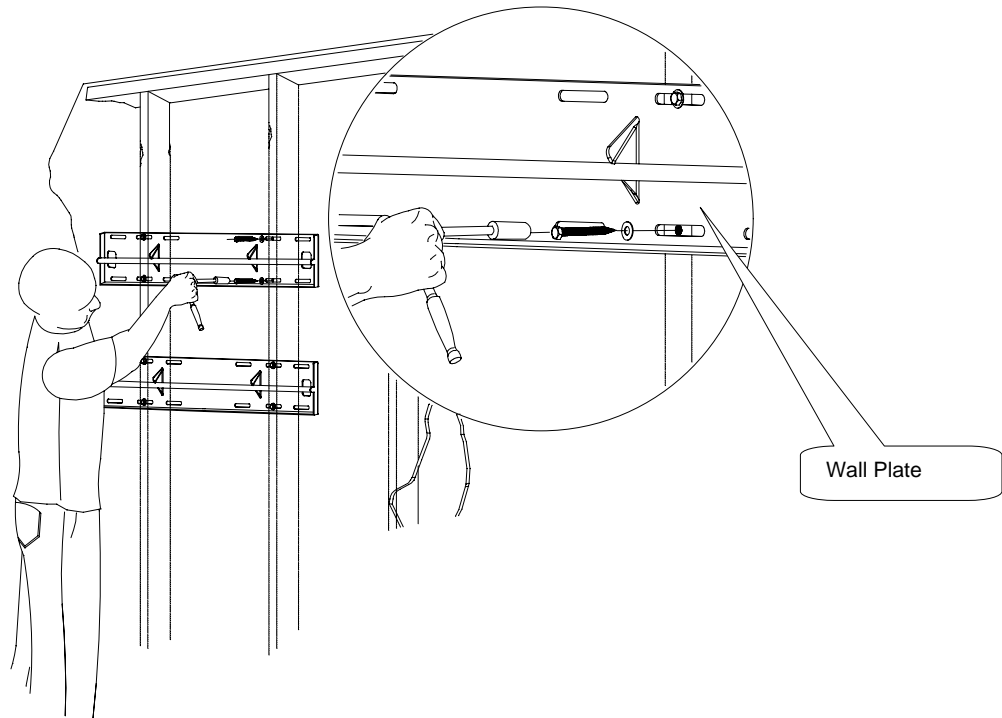


Figure 12

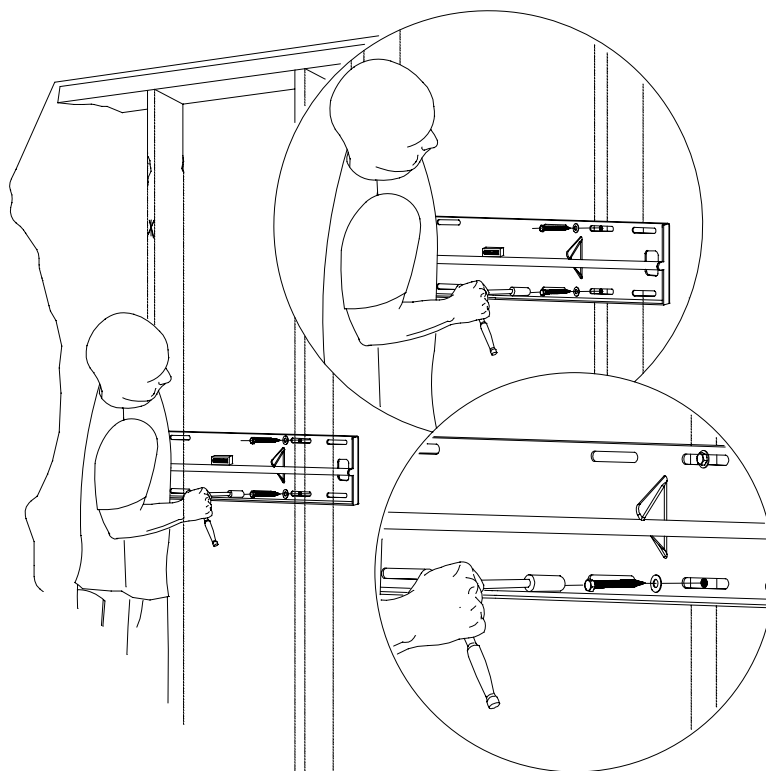


Figure 13

### Step 13 – Concrete Installation

Level and secure the lower plate to the wall with the reference arrow facing up to the ceiling.

**NOTE:** Each hole must be drilled using a 7/16" drill bit.

Use a diameter of 3/8" x 2 1/4" large concrete wedge anchors (commercially available) – (Figure 14). Gently tap the wedge anchor into the hole. When the wedge anchor cannot go any further. Place the wall mount over the threaded studs of the wedge anchor and tighten each bolt.

**CAUTION:** Do not over tighten the wedge anchors bolts.

**NOTE:** Use a diameter of 3/8" x 2 1/4" long wedge anchors (commercially available).

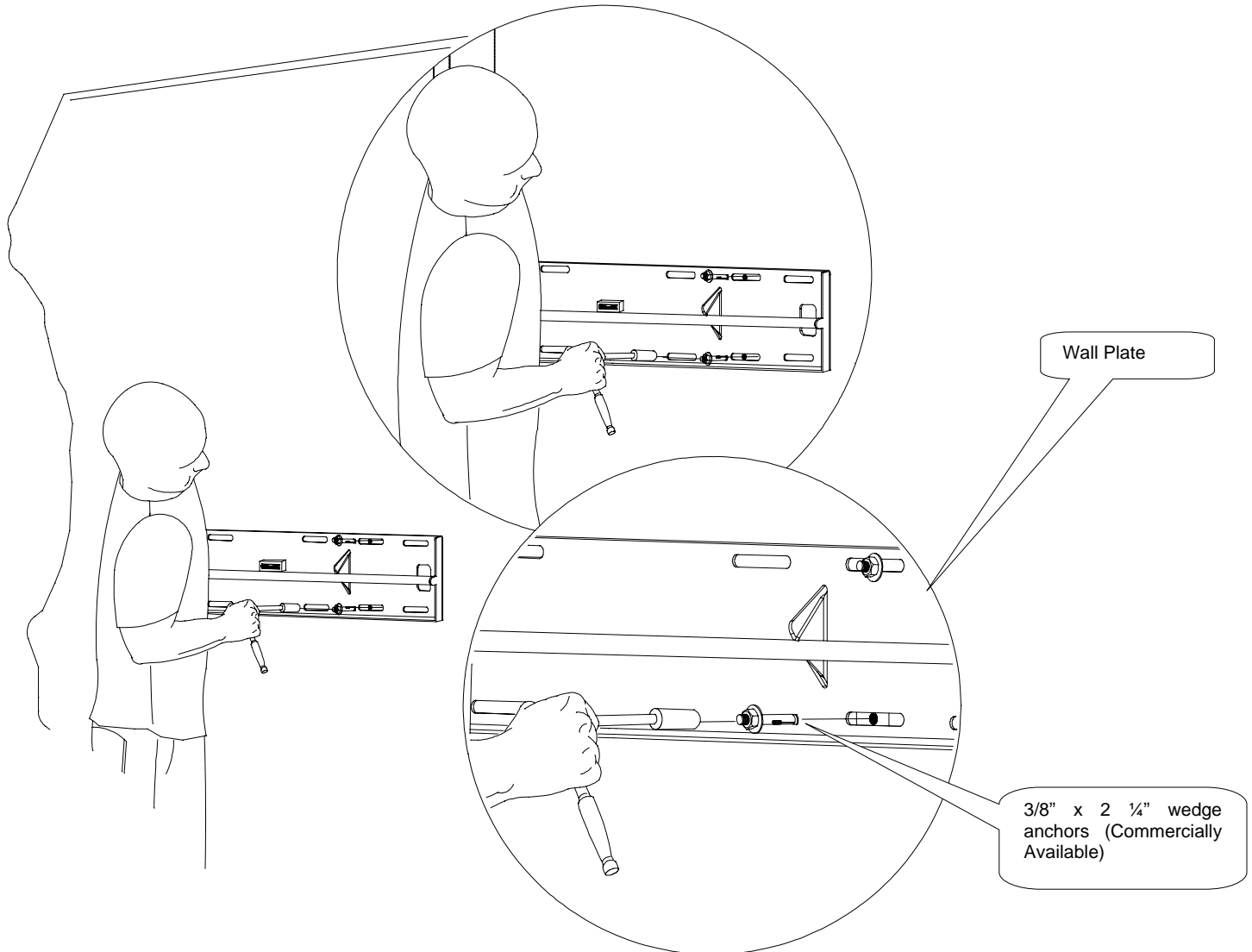


Figure 14

## 6.0 FLAT PANEL INSTALLATION

### Step 14

**WARNING:** AT LEAST (2) QUALIFIED PERSONNEL ARE STRONGLY RECOMMENDED FOR INSTALLATION OF THIS PRODUCT. FAILURE TO DO SO COULD RESULT IN SERIOUS INJURY AND POSSIBLE DAMAGE TO THE FLAT PANEL.

Raise the flat panel with the mounting brackets secured to the flat panel and insert the top hooks from each bracket to the rod from the wall plates (Figure 15).

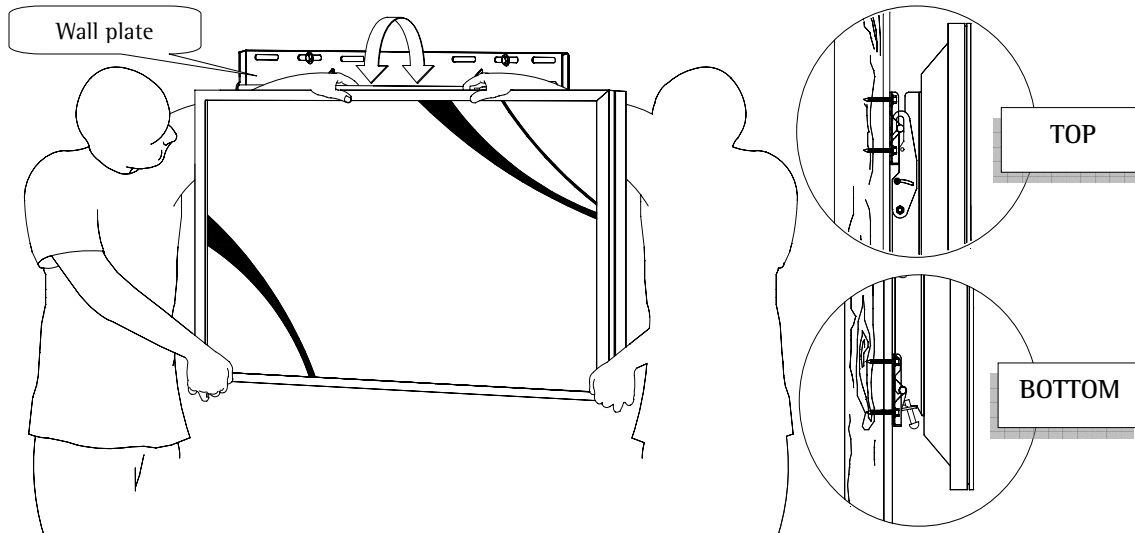


Figure 15

## 7.0 LATERAL SHIFT ADJUSTMENT

### Step 15

Make any lateral shift adjustment and lock it by tightening the two (2) ¼"-20 Phillips screws found on the bottom of the mounting brackets. Use the foot leveler to adjust your plasma.

**CAUTION:** Do not over tighten the ¼"-20 screws to the rods (Figure 16).

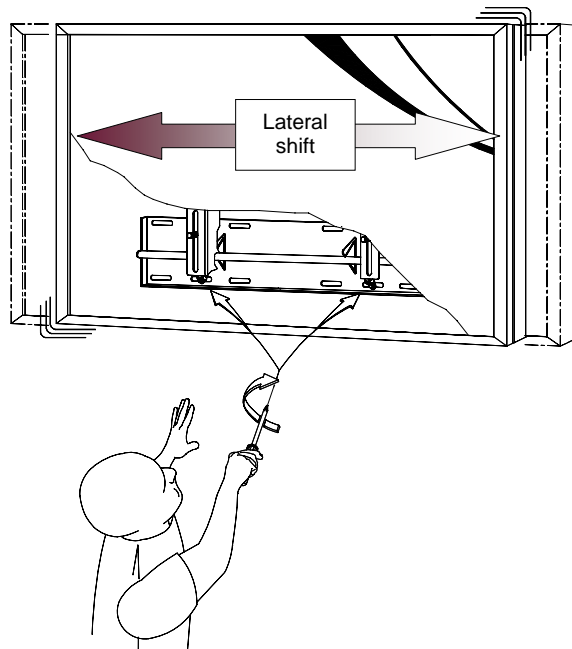
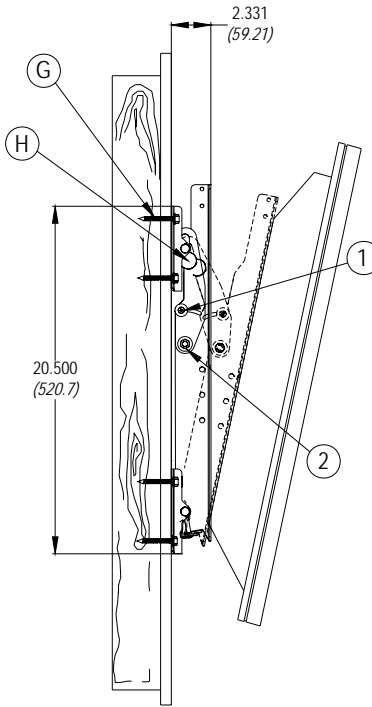
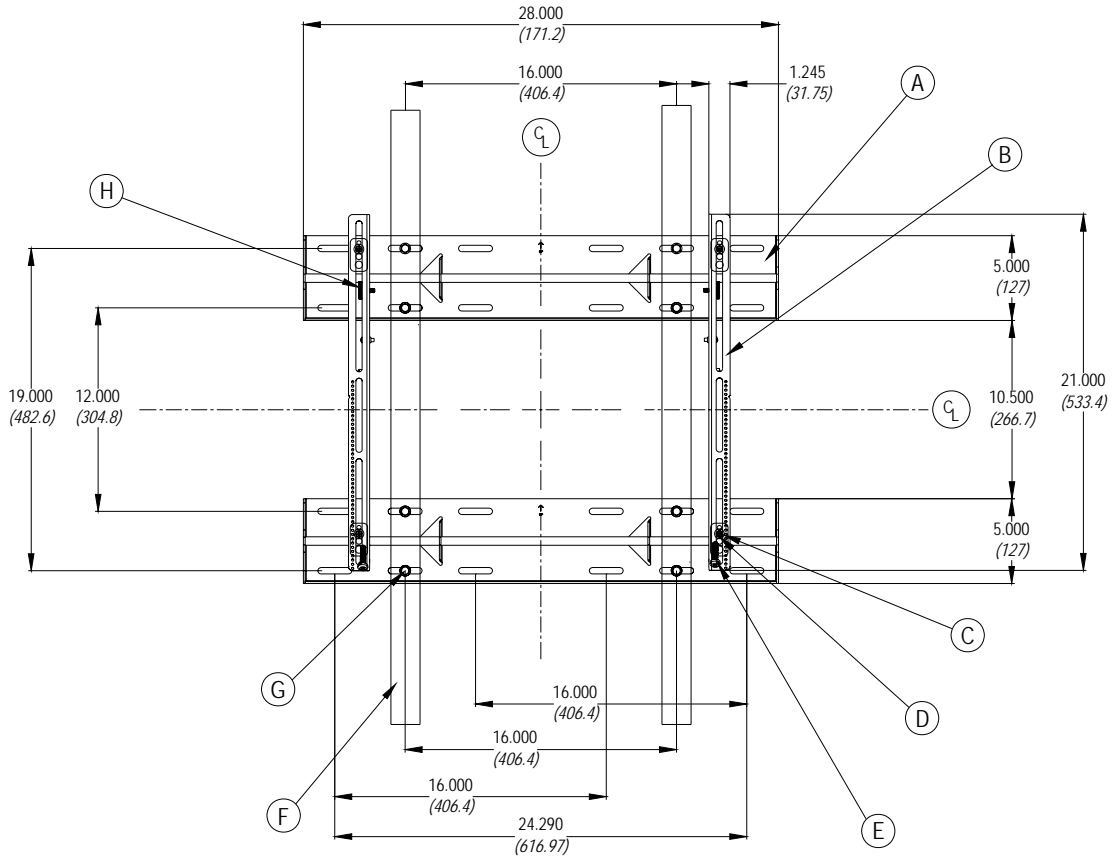


Figure 16

# 8.0 TECHNICAL SPECIFICATIONS

Dimensions are in Inches and (mm)



- A. Wall plate
- B. Mounting brackets
- C. Griplate™
- D. Mounting hardware
- E. M6 x 30 (mm) Phillip screws
- F. Wood stud
- G. 5/16" x 3" Lag screws and flat washers
- H. Safety knobs

- 1. M5 Phillips screws for fine tension
  - 2. M8 Hex nut coarse tension
- NOTE:** The 8 (mm) hex nut is for your coarse tension adjustment and the 5 (mm) screws are for your fine tension adjustment.

**Figure 17**

**www.marantz.com**

You can find your nearest authorized distributor or dealer on our website.

---

**U.S.A.**      Marantz America, Inc.      1100 Maplewood Drive, Itasca, IL 60143, U.S.A.

---

**marantz**<sup>®</sup> is a registered trademark.